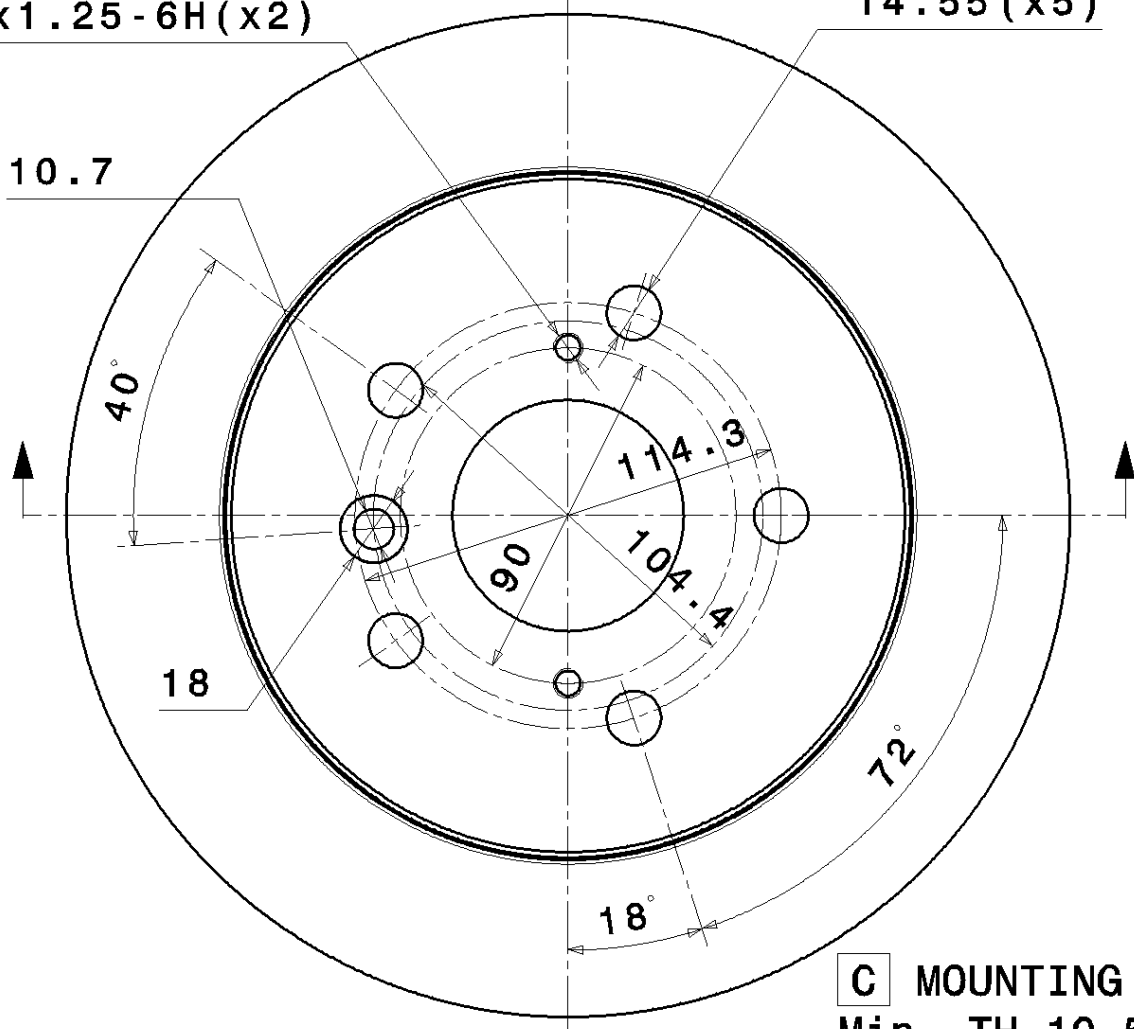


M8x1.25-6H(x2) 14.55(x5)

10.7



C MOUNTING FACE
 Min. TH 10.5 mm
 Weight 4.9 Kg

TYPE DP